

SNC-CX600

Network Fixed HD Camera – C Series


SONY
make.believe

720/30p Network Camera with White-light LED Illuminators Powered by IPELA ENGINE EX™

- Maximum resolution of 1280 x 720 pixels with the Exmor™ CMOS sensor
- Wide horizontal viewing angle of 120°
- White-light LED Illuminators for clear color images in low-light conditions
- Voice Alert function by a built-in speaker
- Passive IR (PIR) sensor for motion detection and control of camera security functions
- Edge Storage for onboard recording with a micro SD/SDHC card



KEY FEATURES

- IPELA ENGINE EX signal processing system developed based on Sony's unique signal processing and intelligent video analytics technologies to provide unique features such as XDNR and DEPA Advanced 
- White-light LED Illuminators to capture clear color images at a distance of up to 3 m (10 feet), even in complete darkness of 0 lx
- Voice Alert function to play back a warning message through a built-in speaker when the PIR sensor detects a moving object
- Passive IR (PIR) sensor to detect an object in motion, and then trigger an alarm to activate the camera's security functions such as white-light LED illuminators, Voice Alert, Edge Storage, and email notification
- Edge Storage function to record video and audio data* with a micro SD/SDHC card attached to the camera
- XDNR (eXcellent Dynamic Noise Reduction) technology for clear images without motion blur under low illumination
- Picture mode selectable from a range of camera scenes in the setting menu to optimize picture quality in various applications

* Up to 500 data files can be stored in the memory card. If more than 500 files are recorded, old ones are automatically overwritten with new ones.

- VBR (variable bitrate) or CBR (constant bitrate) compression mode selectable to correspond with various network conditions
- Smartphone viewer for accessing the camera from a smartphone
- Image Stabilizer to minimize the effect of camera shake or vibration to achieve less blurry images
- DEPA Advanced Intelligent Video Analytics to trigger an alarm based on user-defined rules 
- ONVIF (Open Network Video Interface Forum) Profile S conformance 
- Built-in speaker and microphone
- Powered by IEEE 802.3af-compliant PoE system for easy installation
- Supplied camera stand

SNC-CX600 with a camera stand and micro SD card*

* A micro SD card is not included in the camera.



Connect Your Vision

IPELA™

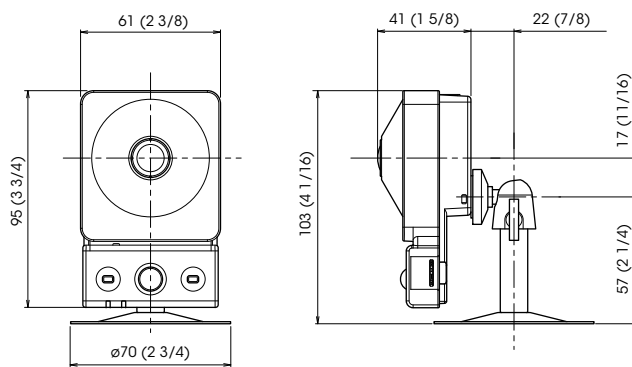
SPECIFICATIONS

| | SNC-CX600 |
|------------------------------------|--|
| Camera | |
| Image Sensor | 1/4-type progressive scan Exmor CMOS sensor |
| Number of Effective Pixels | Approx. 1.3 Megapixels |
| Minimum Illumination (50 IRE) | Color: 1.0 lx (F2.0, VE OFF, AGC MAX, 1/30 s, 30 fps) |
| Minimum Illumination (30 IRE) | Color: 0.5 lx (F2.0, VE OFF, AGC MAX, 1/30 s, 30 fps) |
| Dynamic Range | More than 60 dB |
| Gain | Auto |
| Shutter Speed | 1/1 s to 1/10,000 s |
| Exposure Control | Exposure compensation, AGC, Shutter speed |
| White Balance | ATW, ATW-PRO, Fluorescent lamp, Mercury lamp, Sodium vapour lamp, Metal halide lamp, White LED, One push WB, Manual |
| Lens | |
| Horizontal Viewing Angle | 120° |
| Vertical Viewing Angle | 64.0° |
| Focal Length | f = 1.83 mm |
| F-Number | F2.0 |
| Minimum Object Distance | 500 mm |
| White-light LED Illuminator | Yes |
| LED Working Distance | 3 m |
| Camera Features | |
| Wide-D | View-DR LFC |
| Tone Correction | Visibility Enhancer (VE) |
| Noise Reduction | XDNR |
| Image Stabilizer | Yes |
| Picture Mode | Yes |
| Privacy Masking (number) | 20 |
| Privacy Masking (shape) | Quadrangle formed by any four corner points |
| Privacy Masking (color/effect) | Opaque 14 colors (Black, White, Red, Green, Blue, Cyan, Yellow, Magenta, Gray (6 scales)), Mosaic |
| Edge Storage | Yes |
| Memory Size for Pre/Post Buffer | Approx. 8 MB |
| Compatibility with Cloud Service | Yes |
| Voice Alert | Yes |
| Superimpose Number | 3 independent positions for characters (Codec, Date & Time, Event, Text (Max. 64 characters)), 1 independent position for logo marks |
| Superimpose Language | English |
| Menu Language | English, Japanese, Chinese (simplified), Chinese (traditional), French, Spanish, German, Italian, Korean, Portuguese, Russian, Arabic, Hindi, Vietnamese, Thai |
| Smartphone viewer | Yes |
| Video | |
| Resolution | 1280 x 720, 1024 x 576, 720 x 576 720 x 480, 704 x 576, 640 x 480, 640 x 360, 352 x 288, 320 x 180 (H.264, JPEG) |
| Compression Format | H.264 (High/Main/Baseline Profile), JPEG |
| Maximum Frame Rate | H.264: 30 fps (1280 x 720) JPEG: 30 fps (1280 x 720) |
| Bitrate Compression Mode | CBR/VBR (selectable) |
| Range of Bitrate Setting | 64 Kbps to 8 Mbps |
| Solid PTZ | Yes |
| Bandwidth Control | JPEG |
| Multi Streaming Capability | Triple streaming |
| Number of Clients | 5 |
| Intelligent Video Analytics | |
| Analytics Architecture | DEPA Advanced |
| Intelligent Motion Detection | Yes |
| Face Detection | Yes |
| Tamper Alarm | Yes |
| Scene Analytics | Passing, Intrusion, Left Object Detection, Removed Object Detection |
| Audio | |
| Compression Format | G.711/G.726/AAC (16 kHz, 48 kHz) |
| System Requirements | |
| Operating System | Windows XP (32 bit) Professional Edition Windows Vista (32 bit) Ultimate, Business Edition Windows 7 (32/64 bit) Ultimate, Professional Edition Windows 8 Pro (32/64 bit) |
| Processor | Intel Core2 CPU 6420 2.13 GHz or higher |
| Memory | 2 GB or more |
| Web Browser | Microsoft Internet Explorer Ver. 7.0, Ver. 8.0, Ver. 9.0, Ver. 10.0 Firefox Ver. 19.02 (plug-in free viewer only) Safari Ver. 5.1 (plug-in free viewer only) Google Chrome Ver. 25.0 (plug-in free viewer only) |

| | SNC-CX600 |
|-----------------------------|---|
| Network | |
| Protocols | IPv4, TCP, UDP, ARP, ICMP, IGMP*, HTTP, DHCP, DNS, NTP, RTP/RTCP, RTSP over TCP, RTSP over HTTP, SMTP, IPv6, HTTPS, SNMP (v1, v2c, v3), SSL |
| QoS | DSCP |
| Multicast Streaming Support | Yes |
| ONVIF Conformance | Profile S |
| Wireless Network | No |
| Wi-Fi Certified | No |
| Wi-Fi Protected Setup | No |
| Authentication | IEEE802.1X |
| Interface | |
| Microphone Input | Built-in microphone |
| Line Output | Built-in speaker |
| Network Port | 10BASE-T/100BASE-TX (RJ-45) |
| Card Slots | micro SD |
| Confirmed SD Card Type | SDHC (no support for SDXC) |
| General | |
| Power Requirements | IEEE802.3af compliant (PoE system) |
| Power Consumption | 5.0 W max. |
| Operating Temperature | 0°C to 50°C (32°F to 122°F) |
| Storage Temperature | -20°C to +60°C (-4°F to +140°F) |
| Operating Humidity | 20% to 80% |
| Storage Humidity | 20% to 95% |
| Dimensions (W x H x D) | Approx. 61 mm x 95 mm x 41 mm (2 13/32 inches x 3 3/4 inches x 1 5/8 inches) |
| Mass | Approx. 110 g (3.9 oz) |
| External Material | PC (polycarbonate) |
| External Color | White |
| Fire Retardant | UL94HB or higher |
| Safety Regulations | UL2044, IEC60950-1, GB4943.1, VCCI Class B, FCC Class B, IC Class B, EN55022 (Class B) + EN50130-4, EN55022 (Class B) + EN55024, EN60950-1, AS/NZS CISPR22 (Class B), RCM, EMC-TR (CU-TR), MSIP |
| Supplied Accessories | Camera stand (1) Screws (3) Installation manual (1) Warranty card (1) Safety regulations for network camera (1) |

* SSM (Source Specific Multicast) is supported.

DIMENSIONS



Unit: mm (inches)

Distributed by

©2013 Sony Corporation. All rights reserved.

Reproduction in whole or in part without permission is prohibited. Features and specifications are subject to change without notice.

The values for mass and dimension are approximate. "SONY", "make.believe", "IPELA", "IPELA ENGINE EX", "Exmor", and "DEPA" are trademarks of Sony Corporation. All other trademarks are the property of their respective owners.